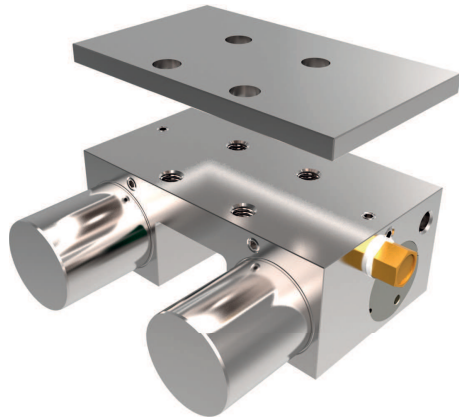


# CLAMPING ELEMENTS SERIES MKS

## ▶ PRODUCT ADVANTAGES

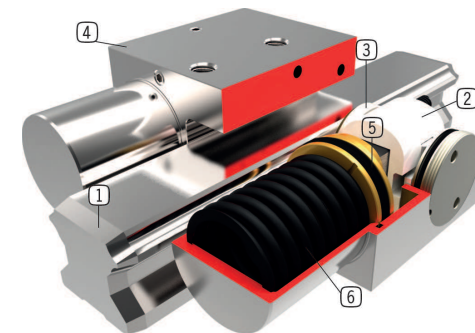


- ▶ **broad range of products**  
For all common profile rail guides
- ▶ **Energize to open (NC)**  
through spring-loaded energy storage
- ▶ **high durability**  
Up to 5 million static clamping cycles
- ▶ **Higher clamping forces**  
Via activation with PLUS air
- ▶ **Safety element**  
Safe clamping in case of energy failure

## ▶ TECHNICAL DETAILS

- 1 Profile rail guide
- 2 Wedge-type gear
- 3 Clamping jaw
- 4 housing
- 5 Pneumatic piston

- 6 **Spring-loaded energy storage**
  - Available for all common profile rail guides
  - Power transmission between piston and clamping jaw
  - Pressed at the free surfaces of the profile rail guide
  - chemically nickel plated steel
  - The piston moves the wedge-type gear longitudinally
  - For non-pressurized closing of the clamping unit



## ▶ INFORMATION ON THE PRODUCTS

### APPLICATION SCENARIOS

- ▶ **Clamping in case of pressure drop**
- ▶ **Clamping without energy requirement**

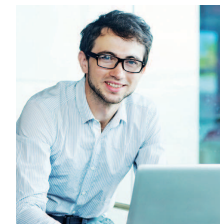
### FURTHER INFORMATION

- ▶ **Adapter plate**  
In addition, an adapter plate might have to be ordered as height compensation depending on the height of the runner block (dimension D).
- ▶ **Special variants on request, e.g.**
  - With low opening pressure (3.0 bar or 4.0 bar)
  - With proximity switch monitoring
  - With additional air connection (from above, from the front)

## ▶ INFORMATION ON THE SERIES

### TECHNICAL DATA

Rail size	12-100 mm
Holding force	250-1450
pressure min.	5.5
pressure max.	6
Spring-loaded energy storage	existing
PLUS connection	yes
Clamping cycles	up to 5 million
Braking cycles	not suitable
Type of drive	pneumatic



### ▶ Technical Information

All information just a click away at: [www.zimmer-group.de](http://www.zimmer-group.de)  
Find data, illustrations, 3D models and operating instructions for your installation size using the order number for your desired product.  
Quick, clear and always current.