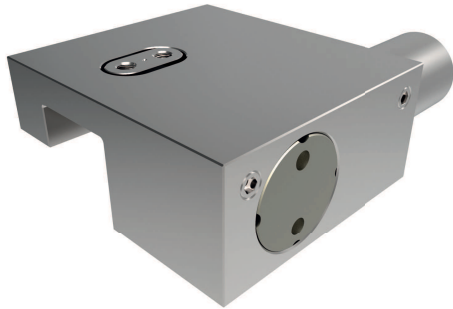


# CLAMPING ELEMENTS SERIES MCPS

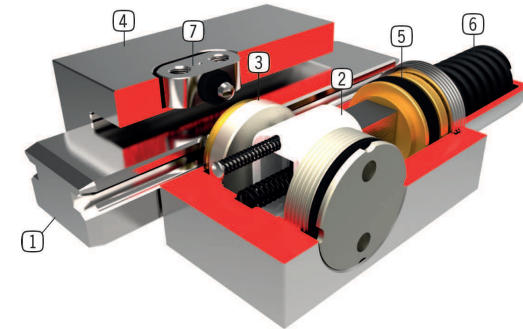
## ▶ PRODUCT ADVANTAGES

- ▶ **small construction**  
For all common miniature profile rail guides
- ▶ **Energize to open (NC)**  
through spring-loaded energy storage
- ▶ **high durability**  
Up to 5 million static clamping cycles
- ▶ **Higher clamping forces**  
Via activation with PLUS air
- ▶ **Safety element**  
Safe clamping in case of energy failure



## ▶ TECHNICAL DETAILS

- ① **Miniature profile rail guide**  
- Available for all common miniature profile rail guides
- ② **Wedge-type gear**  
- Power transmission between piston and clamping jaw
- ③ **Clamping jaw**  
- Pressed at the free surfaces of the profile rail guide
- ④ **housing**  
- chemically nickel plated steel
- ⑤ **Pneumatic piston**  
- The piston moves the wedge-type gear longitudinally
- ⑥ **Spring-loaded energy storage**  
- For non-pressurized closing of the clamping unit
- ⑦ **Sliding block**  
- For floating bearings



## ▶ INFORMATION ON THE PRODUCTS

### APPLICATION SCENARIOS

- ▶ **Clamping in case of pressure drop**
- ▶ **Clamping without energy requirement**

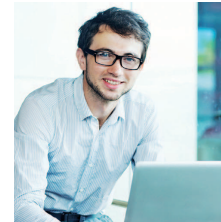
### FURTHER INFORMATION

- ▶ **Special variants on request, e.g.**  
With low opening pressure (3.0 bar or 4.0 bar)  
With additional air connection (from above, from the front)

## ▶ INFORMATION ON THE SERIES

### TECHNICAL DATA

Rail size	5-25 mm
Holding force	80-400
pressure min.	5.5
pressure max.	6
Spring-loaded energy storage	existing
PLUS connection	yes
Clamping cycles	up to 5 million
Braking cycles	not suitable
Operation	pneumatic



### ▶ Technical Information

All information just a click away at: [www.zimmer-group.de](http://www.zimmer-group.de)  
Find data, illustrations, 3D models and operating instructions for your installation size using the order number for your desired product.  
Quick, clear and always current.