

CLAMPING AND BRAKING ELEMENTS SERIES KBH

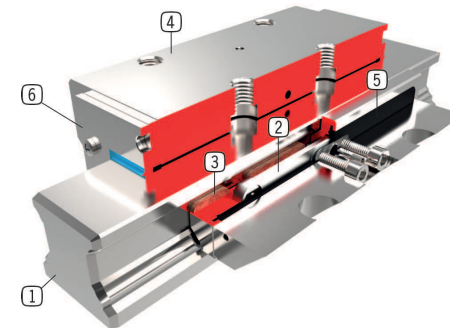
▶ PRODUCT ADVANTAGES

- ▶ **broad range of products**
For all common profile rail guides
- ▶ **Energize to close (NO)**
Closing with pressure
- ▶ **extremely durable**
Up to 10 million static clamping cycles



▶ TECHNICAL DETAILS

- ① **Profile rail guide**
- Available for all common profile rail guides
- ② **Return spring**
- Interlocked integration in the jaws
- ③ **Clamping jaws and brake shoes**
- Pressed at the free surfaces of the profile rail guide
- ④ **housing**
- chemically nickel plated steel
- ⑤ **Membran**
- For pressurization up to 150 bar
- ⑥ **Scraper**
- Can also be ordered as an option



▶ INFORMATION ON THE PRODUCTS

APPLICATION SCENARIOS

- ▶ **Machine table clamping of heavy cutting work centres**
- ▶ **Clamping and braking of heavy handling systems**
- ▶ **Braking**

FURTHER INFORMATION

- ▶ **Special variants on request, e.g.**
With additional hydraulic connection (from above, from the front)

▶ INFORMATION ON THE SERIES

TECHNICAL DATA

Rail size	25-125 mm
Holding force	2200-46000
allowable operating pressure	100-150
allowable point pressure	110-160
Spring-loaded energy storage	inexistent
PLUS connection	no
Clamping cycles	up to 10 million
Braking cycles	up to 2000
Operation	hydraulic



▶ Technical Information

All information just a click away at: www.zimmer-group.de
Find data, illustrations, 3D models and operating instructions for your installation size using the order number for your desired product.
Quick, clear and always current.